

SILVER WINCH LX-850

Newly available in LX Series! 5-ton Electric Winch So Real, So Small and So Light, but So Powerful!

Features

- Eco-Winch: Small Motor Output with Big Power
- Environmental Responsiveness: Compliance with RoHs Directive with Low Acoustic Noise
- Protection Design: IP54, Outside-rainproof, Dust-proof Model
- Customer-Changeable Voltage: 380V/50Hz or 415V/50Hz Options



Side Plate of Drum

It has more than 1.5 times room of a diameter of a cable for the most external layer of the cable.

Drum D/d 14 times



Protection Design

IP54(Outside Rainproof, Dust-proof Model)

Control Panel

Indirect operation system Attached Interlock circuit



Change of Voltage

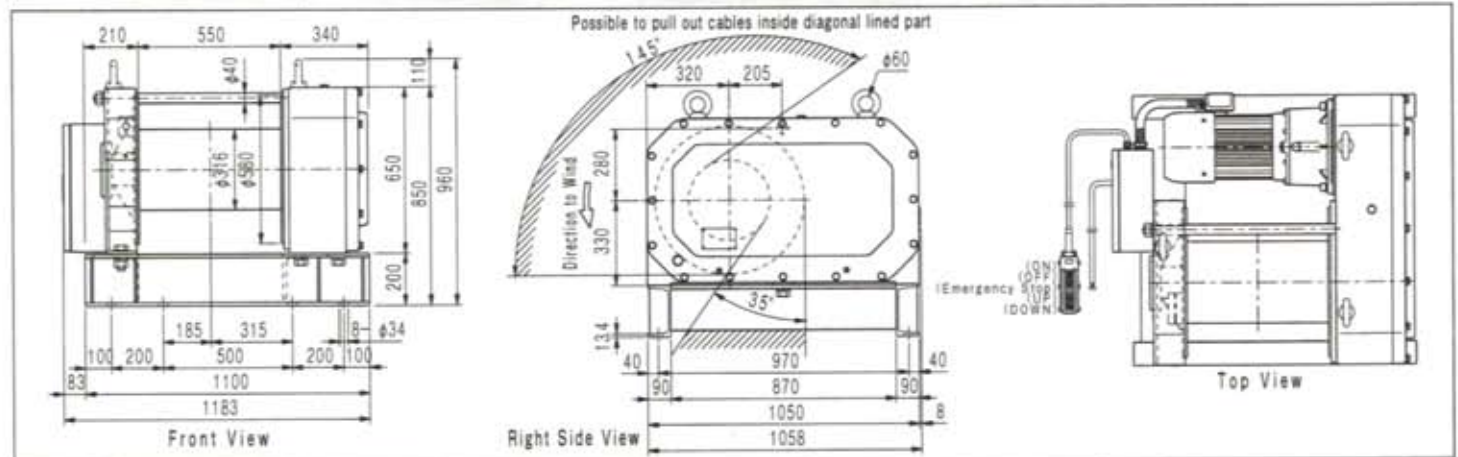
Using a change-switch, you can select a voltage either 380V/50Hz or 415V/50Hz.

Gear Box

Aluminum cast, light and strong

Pushing an emergency stop button, you can manually cut an electric power supply.

Type	LX-850		Type	LX-850	
Rope Pull 3rd Layer	50Hz	5000kg	Rated Voltage	415V/50Hz	380/50Hz
			Rated Current	14A	15A
			Time rating	40%ED	
Rope Speed 3rd Layer	50Hz	7.2m/min	Power Supply Cabtyre Cable	3.5mm ² ×4c×3m	
			Operation Cabtyre Cable	1.25mm ² ×7c×5m	
Winding Length	Ø24×100m		Operation Switch	5 Button Operation Switch	
Output	7.5kw		Weight	970kg	



Attention: Please read operator manuals before use of products and use the products in accordance with the manuals.

KOYO INDUSTRIES CO.,LTD.
P.O.BOX: NO.79 MINAMI OSAKA JAPAN
OFFICE: NO.101 TOJUSO-KOKUMACHI BLDG.
2-2 KOKUMACHI 2CHOME, CHUO-KU, OSAKA, JAPAN
TEL:81-6-6941-9541 FAX: 81-6-6941-9545
E-MAIL: koyo.ind@axel.ocn.ne.jp